



SINGLE CREDENZA

20" x 36" x 24" (DxWxH)

SHOWN WITH LOWER DOOR KIT

TEVITA

VERTICAL STORAGE

20" x 36" x 66" (DxWxH)

SHOWN WITH UPPER & LOWER DOOR KITS



DOUBLE CREDENZA

20" x 72" x 24" (DxWxH)

SHOWN WITH DRAWER & SHELF KITS

rightangle



TEVITA

CUSTOMIZED CASEGOODS SOLUTIONS AT AFFORDABLE PRICES

Tevita by RightAngle™ is a unique, free standing laminate storage system offering tailored designs without the hefty price tag and lead time.

SMART STORAGE

Whether you're looking for a stand-alone piece or an entire storage wall, mix and match Tevita's modular components to create your perfect storage setup.

QUALITY FIRST

High-performance thermally fused laminate provides an affordable, modern solution. Proudly made in the USA.

MODERN DESIGN

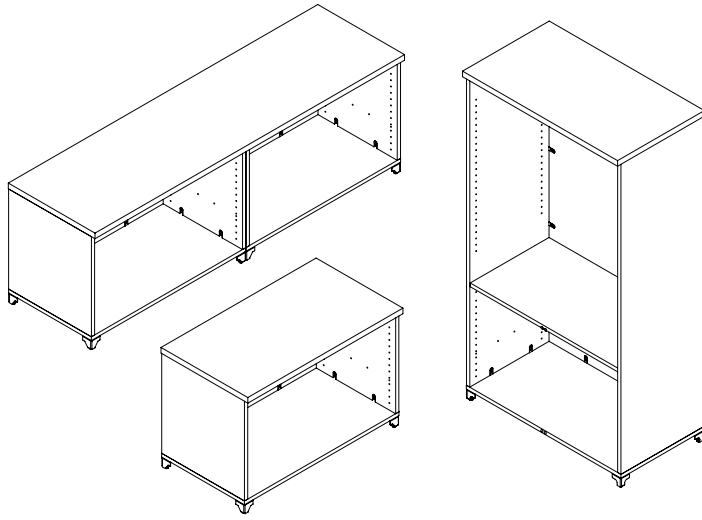
Designed with elegant, clean, and simple lines for a timeless look.



TEVITA

BASE UNITS (WxDxH)

Single Credenza	20" x 36" x 24"
Double Credenza	20" x 72" x 24"
Vertical Storage	20" x 36" x 66"



FINISH OPTIONS

Thermally fused 1 1/8" and 3/4" laminate available in nine colors. Custom colors and high pressure laminate (HPL) available as special order.

Decorative adjustable levelers and pull handles available in (B) Black, (S) Silver, or (W) White. Specified as base color.

View all laminate/edgeband options, including 4EVERedge™ seamless edgebanding, at raproducts.com.

CASTERS

CASTER KITS

Locking nylon casters support up to 100 lbs each. Compatible with single (4 casters) or double (6 casters) credenza only.

Tevita easily integrates into a variety of spaces from commercial offices, training rooms, conference rooms, or even a home office. Configure a credenza, cabinet, bookcase, or wardrobe with your choice of doors, drawers, shelves, and other add-ons.



SHELVING

SHELF KIT

One 20" x 36" (DxW) shelf with shelf pegs. Compatible with all base units.

DRAWERS

BOX/FILE DRAWER KIT

One lateral file drawer and one 1/2 size drawer with pull handles. Compatible with all base units.

DRAWER LOCK KIT

Steel disc tumbler cam lock assemblies (one for each drawer). Chrome finish. Keyed differently (unless otherwise specified).

DOORS

LOWER DOOR KIT

Two 22" x 18" (HxW) doors with soft close hinges and pull handles. Compatible with all base units.

UPPER DOOR KIT

Two 42" x 18" (HxW) doors with soft close hinges and pull handles. Compatible with vertical storage unit.

DOOR LOCK KIT

Steel disc tumbler cam lock assembly. Chrome finish. Keyed differently (unless otherwise specified).

WARDROBE

COAT ROD KIT

Steel oval-shaped 33 3/4" coat rod with chrome finish. Mounts in pre-drilled holes. Compatible with vertical storage unit.

LAMINATE SERIES