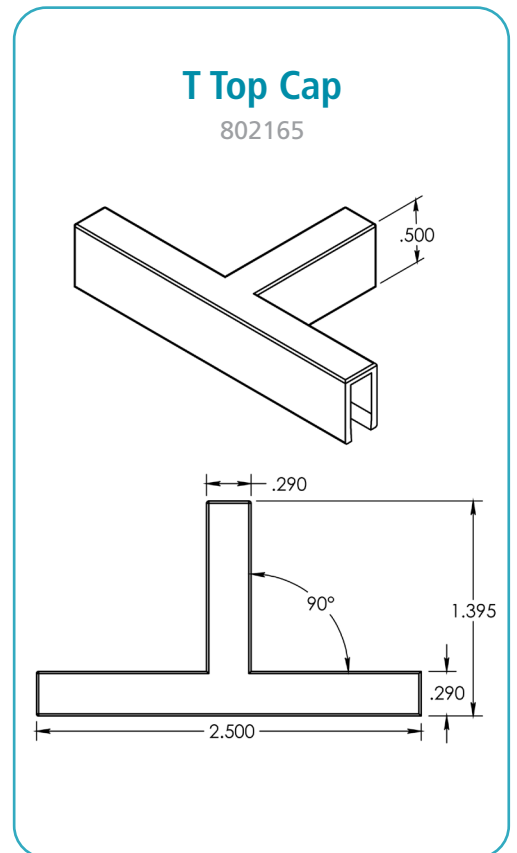
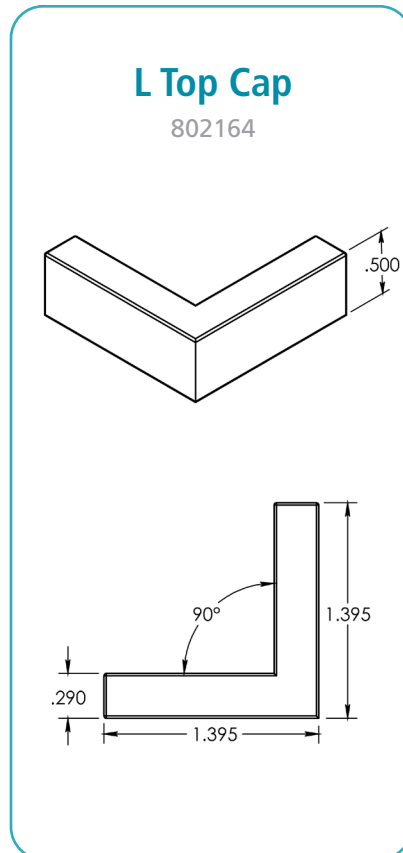
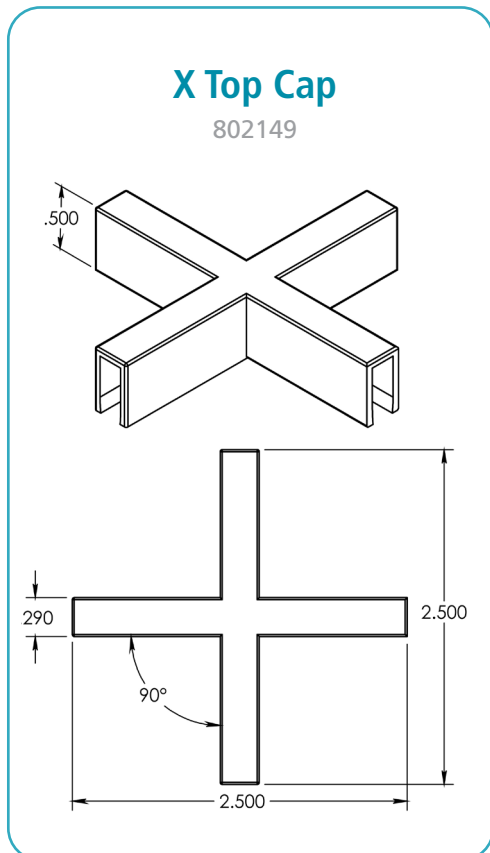


# ACRYLIC SHIELD TOP CAPS - SPEC SHEET

Maintain alignment and add stability to your acrylic shields by adding **top caps** to your gapless acrylic configuration. Available in five standard options or customizable to meet your needs.



For custom options, contact our Customer Service team at **800.298.4351** or [info@raproducts.com](mailto:info@raproducts.com).